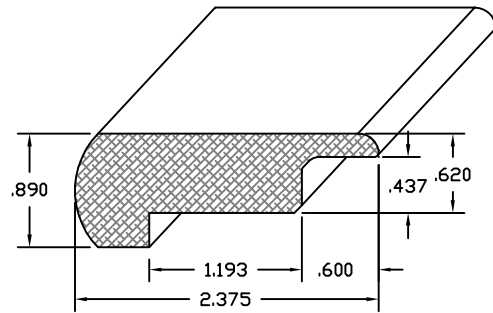
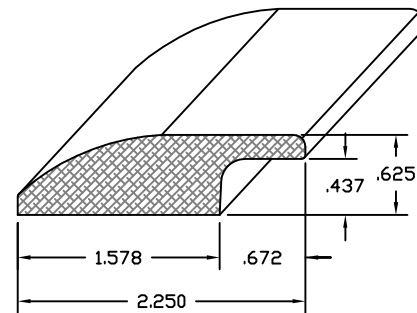


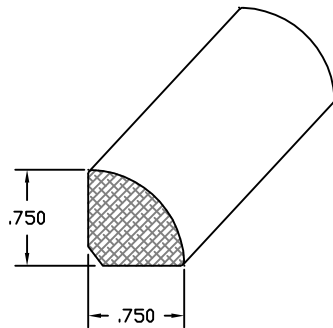
# 3/8" LOCKING PROFILES



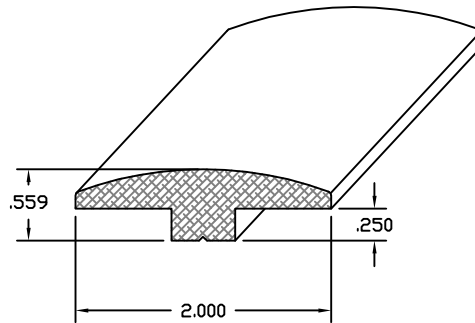
DWG # 405  
OVERLAP STAIRNOSE



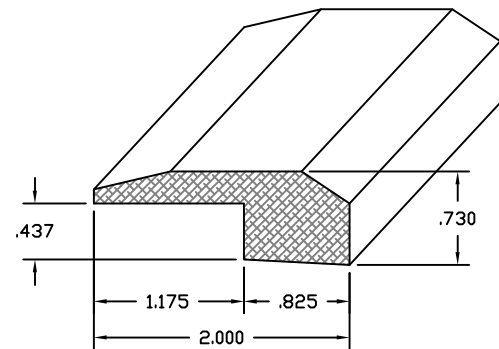
DWG # 524  
OVERLAP REDUCER



DWG # 45  
QUARTER ROUND



DWG # 473  
T-MOLDING



DWG # 404  
THRESHOLD