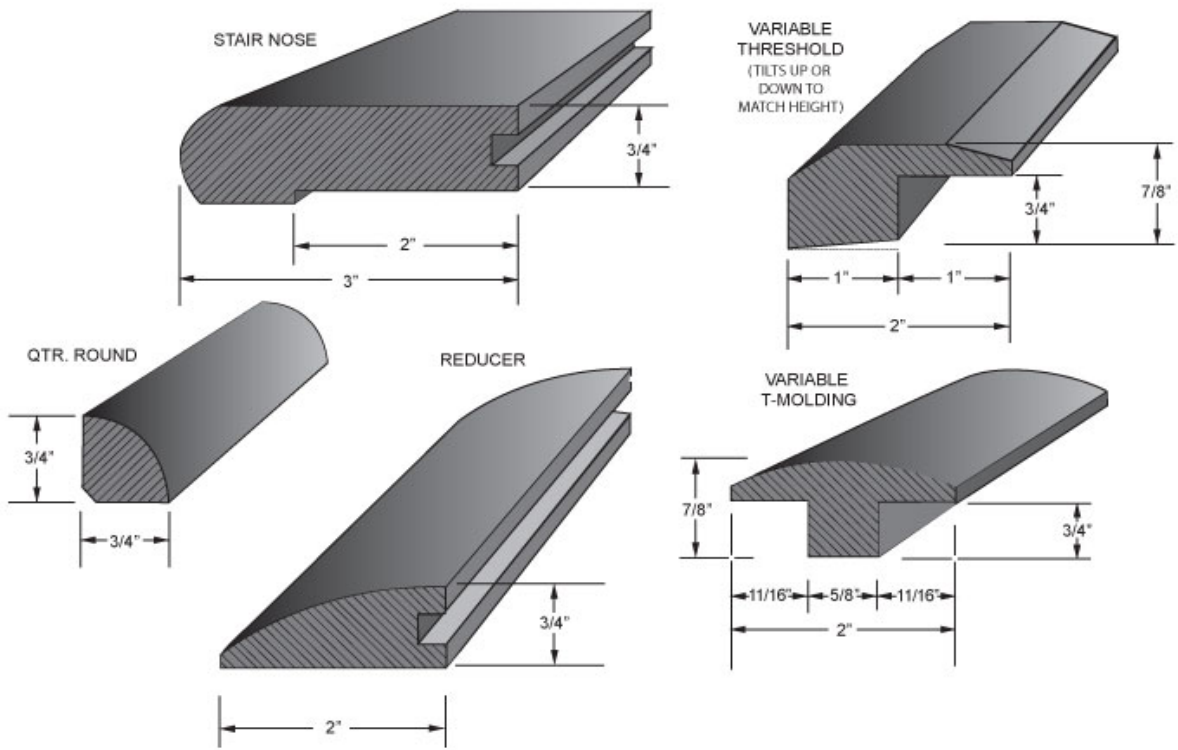
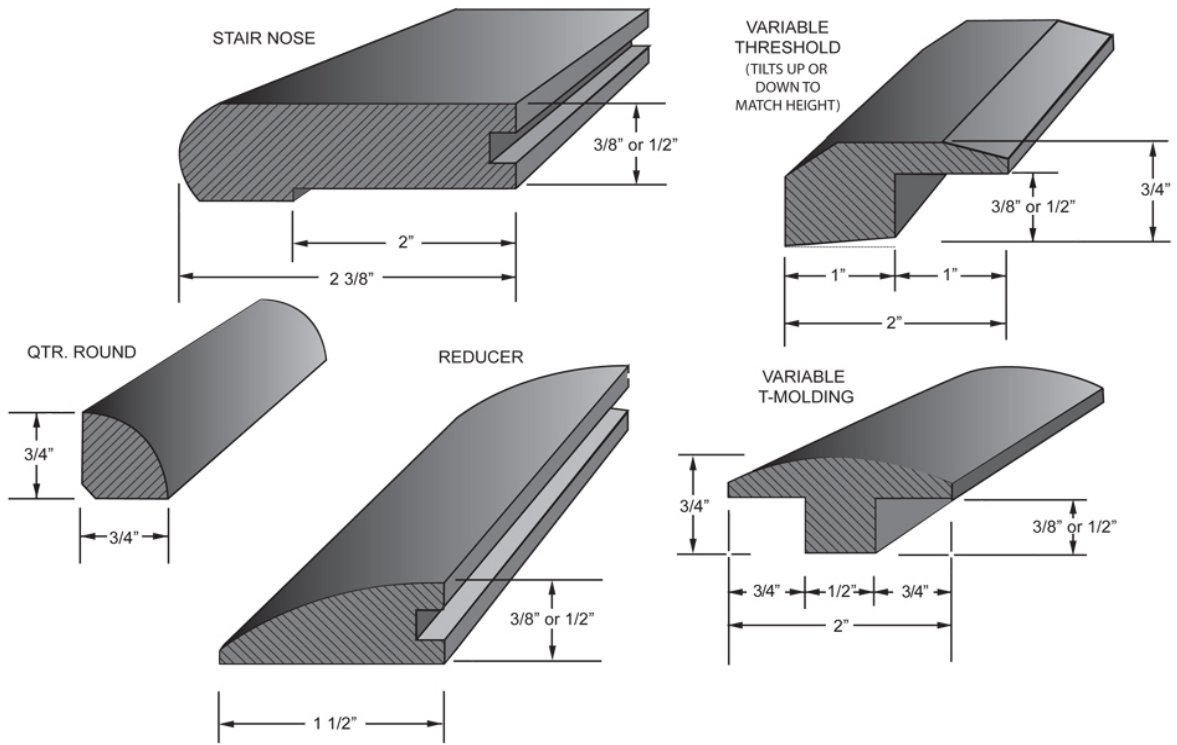


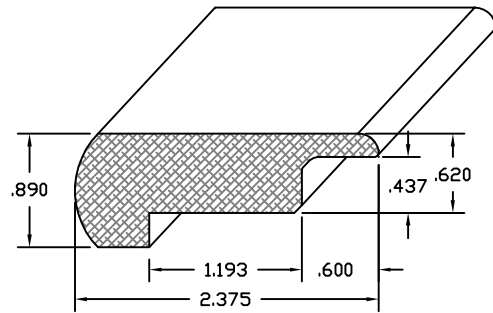
MOLDING SCHEMATICS FOR 3/4 INCH SOLID FLOORING



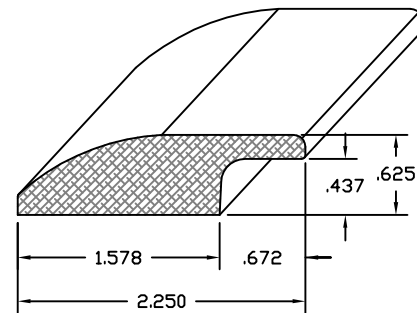
MOLDING SCHEMATICS FOR 3/8 OR 1/2 INCH FLOORING



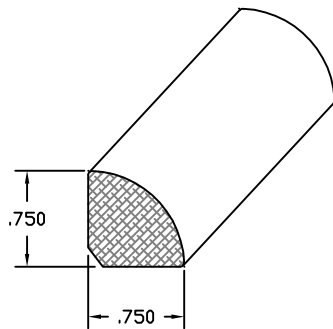
3/8" LOCKING PROFILES



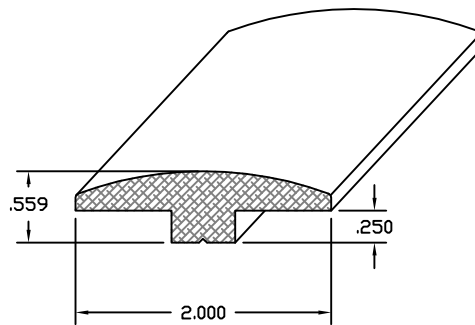
DWG # 405
OVERLAP STAIRNOSE



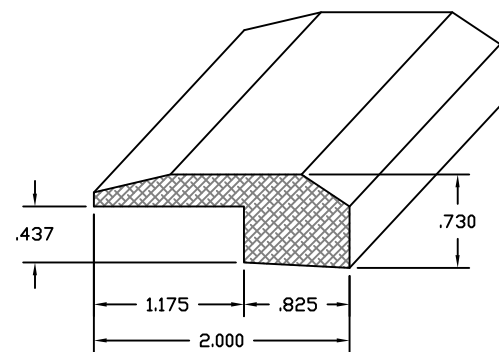
DWG # 524
OVERLAP REDUCER



DWG # 45
QUARTER ROUND



DWG # 473
T-MOLDING



DWG # 404
THRESHOLD